



Leaders in high density vehicle storage systems

CORPORATE HEADQUARTERS

31 Iron Horse Rd
Oakland, NJ 07436
Office: +1 (973) 574-8020
Fax: +1 (973) 574-8030
Toll Free: 1-800-966-5509

SERVICE & OPERATIONS DEPARTMENT

480 Main Ave, Unit 1
Wallington, NJ 07057
Office: +1 (973) 574-8020
Fax: +1 (973) 574-8030
Toll Free: 1-800-966-5509

PARK PLUS FLORIDA, INC.

1835 East Hallandale Beach Blvd
Suite 439
Hallandale, FL 33009
Office: +1 (954) 374-8434
Fax: +1 (953) 374-8860

PARK PLUS CHICAGO

P.O. Box 59505
Schaumburg, IL 60159
Office: +1 (847) 612-4038
Fax: +1 (847) 592-6789

www.parkplusinc.com

email: info@parkplusinc.com



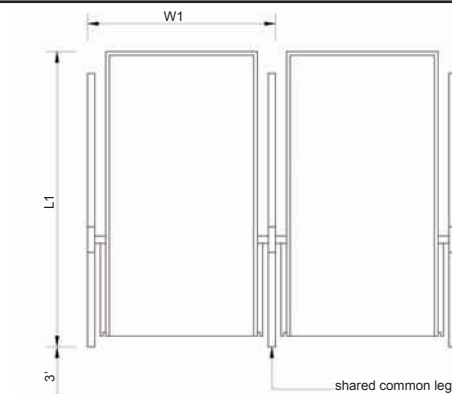
VALET SYSTEMS



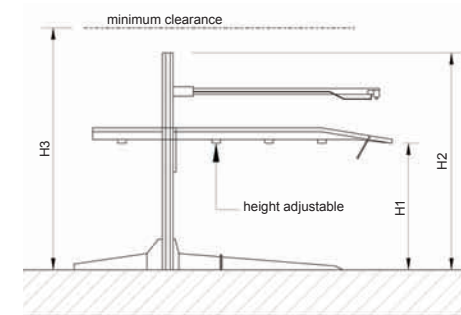
Double Parking System

Mechanical vehicle storage system

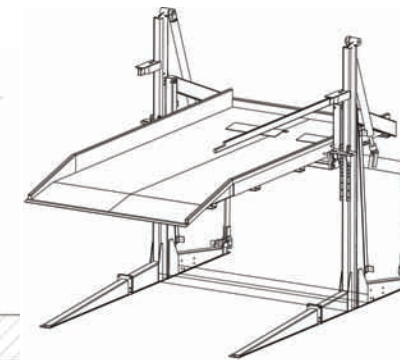
Designed to double parking capacities, this system is available as a hydraulic or electric two-post cantilevered unit that requires no foundation anchorage. Low profile equipment is available for minimal height clearances.



SCHEMATIC PLAN



FRONT/ REAR ELEVATION



SIDE ELEVATION

EQUIPMENT DIMENSIONS (Double Parking system)

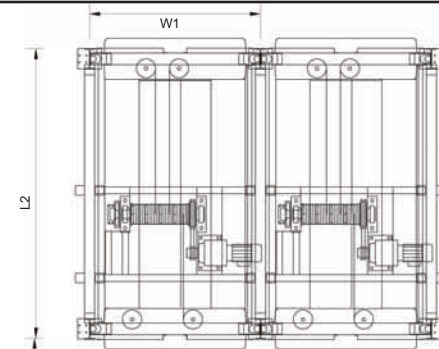
Length	L1	14' - 3"
Width	W1	7' - 11" to 8' - 3" (Center to Center)
Height	H1	5' to 6' - 7" (Platform height)
	H2	9' - 5" (Overall height)
Clearance requirement	H3	10' - 6" to 14'-0"
WEIGHT		2860 lbs
CERTIFIED LIFTING CAPACITY		6000 lbs
OPERATION		Hydraulic with manual emergency lowering
ELECTRICAL POWER		3 Phase/ 60Hz



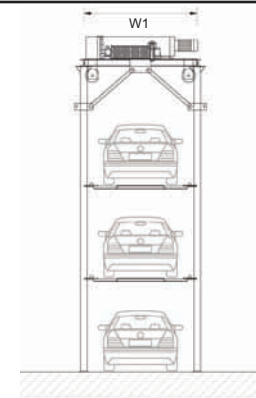
Triple Parking System

Mechanical vehicle storage system

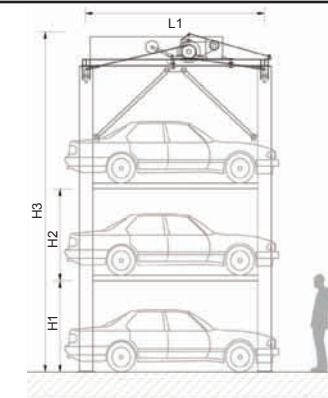
This system is designed to vertically stack vehicles up to 3 high. It is available as a four-post hydraulic or electric machine or a two-post electric machine. All types require a reinforced concrete base.



SCHEMATIC PLAN



FRONT/ REAR ELEVATION



SIDE ELEVATION

EQUIPMENT DIMENSIONS (Triple Parking system)

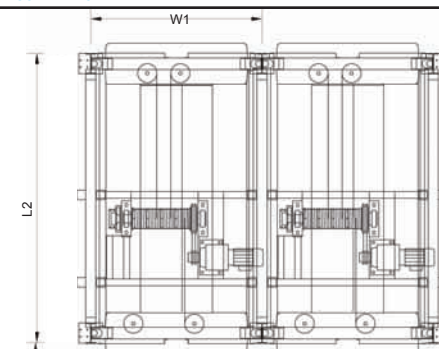
Length	L1	13'	(Center to Center)
	L2	15' - 2"	(Overall requirement)
Width	W1	8' - 3" to 8' - 6"	(Variable)
	H1/ H2	5' - 2" to 6' - 8"	(Platform height)
Height	H3	18' - 0" to 24' - 6"	(Overall height)
CERTIFIED LIFTING CAPACITY		6000 lbs/ platform	
LIFTING SPEED		13 ft/ min	
MAX STACKING		3 Above Grade	
OPERATION		Fully Electrical/ Hydraulic	
ELECTRICAL POWER		3-phase/ 60 Hz	



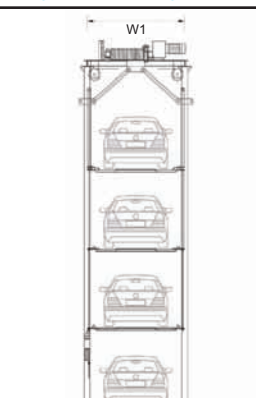
Quad Parking System

Mechanical vehicle storage system

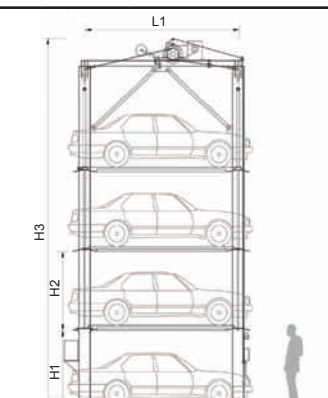
This system is designed to vertically stack vehicles up to 4 high. It is available as a four-post hydraulic or electric machine and requires a reinforced concrete base.



SCHEMATIC PLAN



FRONT/ REAR ELEVATION



SIDE ELEVATION

EQUIPMENT DIMENSIONS (Quad Parking system)

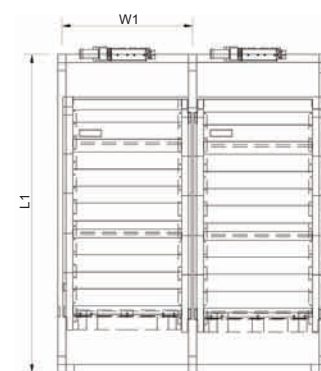
Length	L1	13'	(Center to Center)
	L2	15' - 2"	(Overall requirement)
Width	W1	8' - 3" to 8' - 6"	(Variable)
	H1/ H2	5' - 2" to 6' - 8"	(Platform height)
Height	H3	24' - 0" to 31' - 5"	(Overall height)
CERTIFIED LIFTING CAPACITY		6000 lbs/ Platform	
LIFTING SPEED		13 ft/ min	
MAX STACKING		4 Above Grade	
OPERATION		Fully Electrical/ Hydraulic	
CONTROL		Push Button	
ELECTRICAL POWER		3-phase/ 60 Hz	



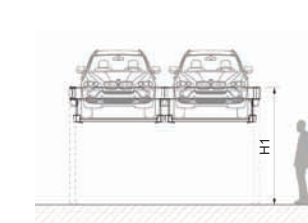
Suspended Parking System

Mechanical vehicle storage system

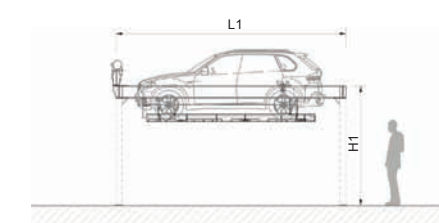
The Suspended Platform system includes a structural framework from which a vehicle platform is suspended. The structural frame can be integrated with a building's structure to eliminate the use of additional supporting members to provide a virtually column-free area.



SCHEMATIC PLAN



SIDE ELEVATION



FRONT/ REAR ELEVATION

EQUIPMENT DIMENSIONS (Suspended Parking system)

Length	L1	19' - 8"
Width	W1	7' - 11" to 8' - 4" (Center to Center)
Height	H1	Variable (Overall height)
Min Clearance requirement		10' - 6"
CERTIFIED LIFTING CAPACITY		6000 lbs/ Platform
LIFTING SPEED		13 ft/ min
OPERATION		Fully Electrical
ELECTRICAL POWER		3-phase/ 60 Hz
MOTOR		2.2 kW (3.0 Hp)