



Leaders in high density parking equipment

Suspended Platform System

Mechanical vehicle storage systems



- *Suspended design*
- *Valet parking system*
- *Cost effective solution*
- *Column-free area*
- *Interior/Exterior use*
- *Full safety features*
- *MEA Approved -
No building permit required for NYC*
- *ISO Compliant*
- *Custom-designs to suit application*



Website: www.parkplusinc.com

Suspended Platform System Mechanical vehicle storage systems

Technical Specifications

SP 100

EQUIPMENT DIMENSIONS

Length	19'-8"
Width	7'-11" to 8'-4" (per platform)
Clearance requirements	10'-6" (minimum)

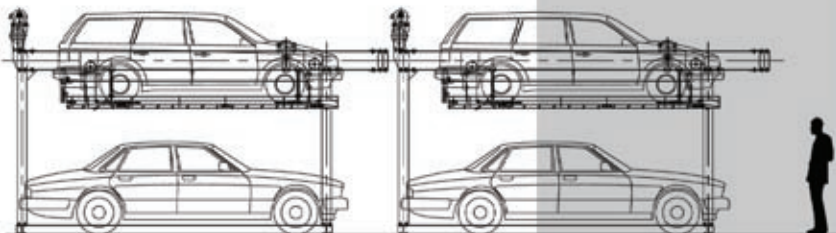
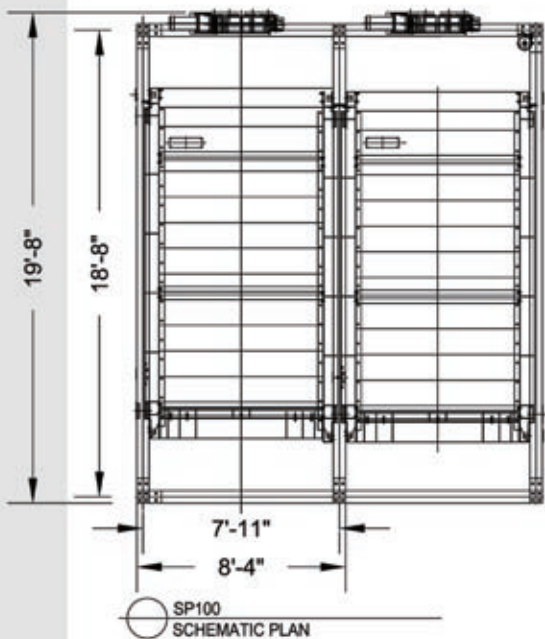
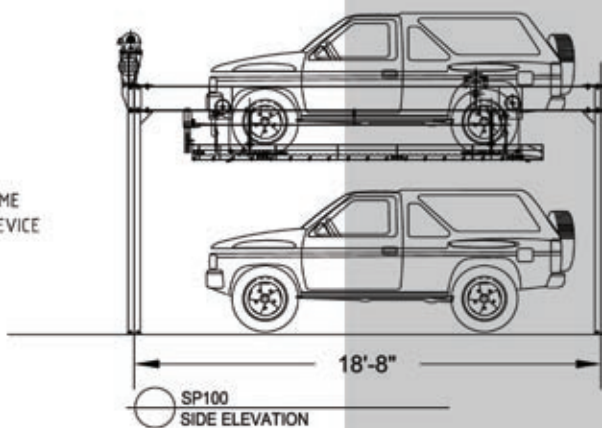
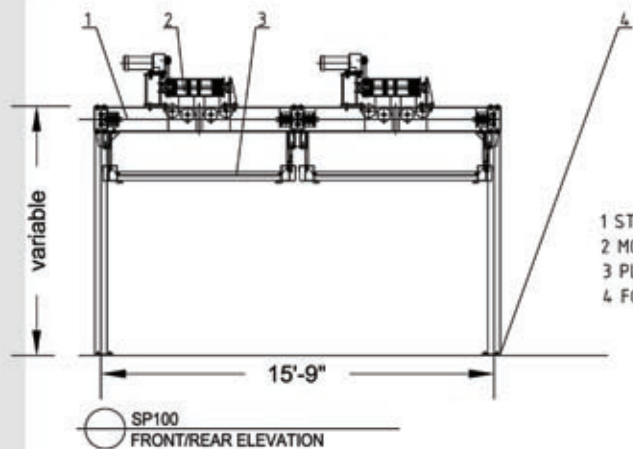
OPERATION

Certified lifting capacity	6000 lbs
Lifting speed	13 ft/min

ELECTRIC POWER

Motor	3 phase/ 60Hz
	2.2 kW (3.0 Hp)

*Specifications subject to change without prior notice



Website: www.parkplusinc.com

480 Main Avenue, Unit 1, Wallington, New Jersey 07057 USA
Toll Free #: 800-966-5509 Telephone #: (973) 574-8020 Fax #: (973) 574-8030
email: info@parkplusinc.com

Suspended Platform System Mechanical vehicle storage systems