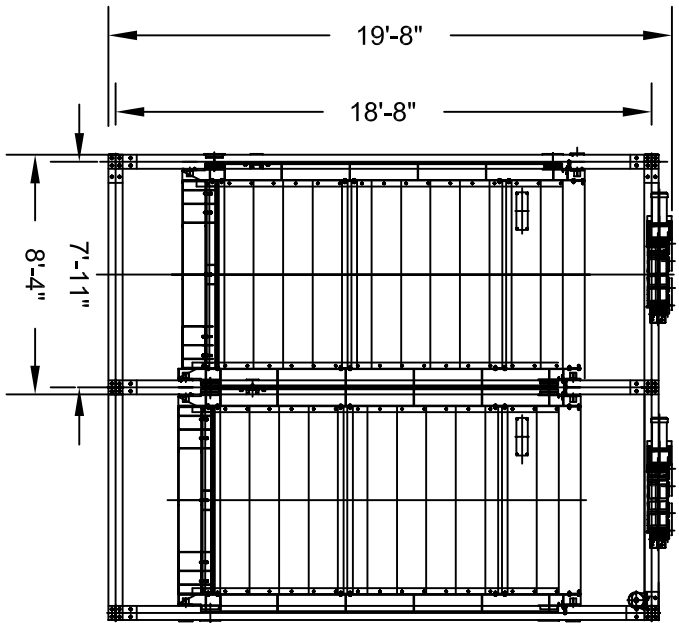
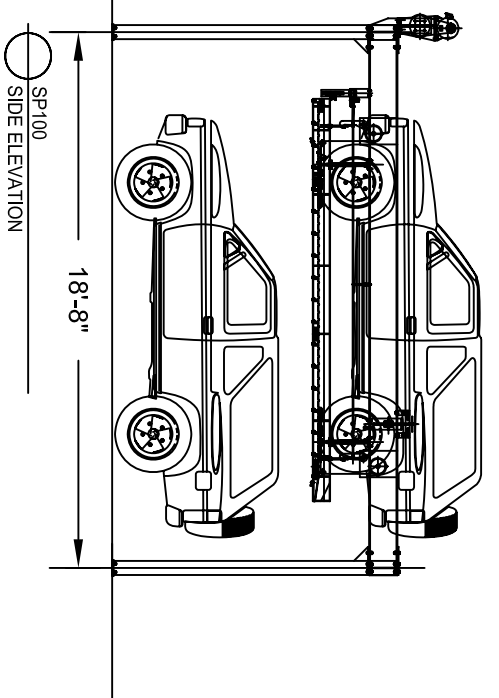


- 1 STRUCTURAL FRAME
- 2 MOTOR LIFTING DEVICE
- 3 PLATFORM
- 4 FOUNDATION



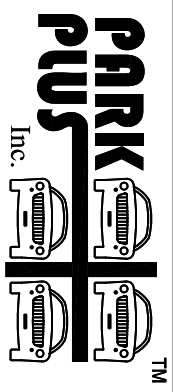
SP100
SCHEMATIC PLAN

THIS CONFIDENTIAL DOCUMENT IS THE PROPERTY OF PARK PLUS, INC. AND SHALL NOT BE GIVEN, COPIED OR REPRODUCED WITHOUT PRIOR WRITTEN CONSENT.

PARK PLUS Inc.™

PARKING SYSTEMS

DATE: _____
 DRAWN BY: _____
 CHECKED BY: _____
 PROJECT DRAWING



480 MAIN AVENUE UNIT 1
 WALLINGTON, NJ 07057
 TEL: (973) 574-8020
 FAX: (973) 574-8030
 www.parkplusinc.com
 email: info@parkplusinc.com

PROJECT
SUSPENDED PARKING SYSTEM
 TECHNICAL SPECIFICATION

DRAWING DESCRIPTION

SP100

DRAWING NOT TO SCALE

REVISIONS:
 ▲